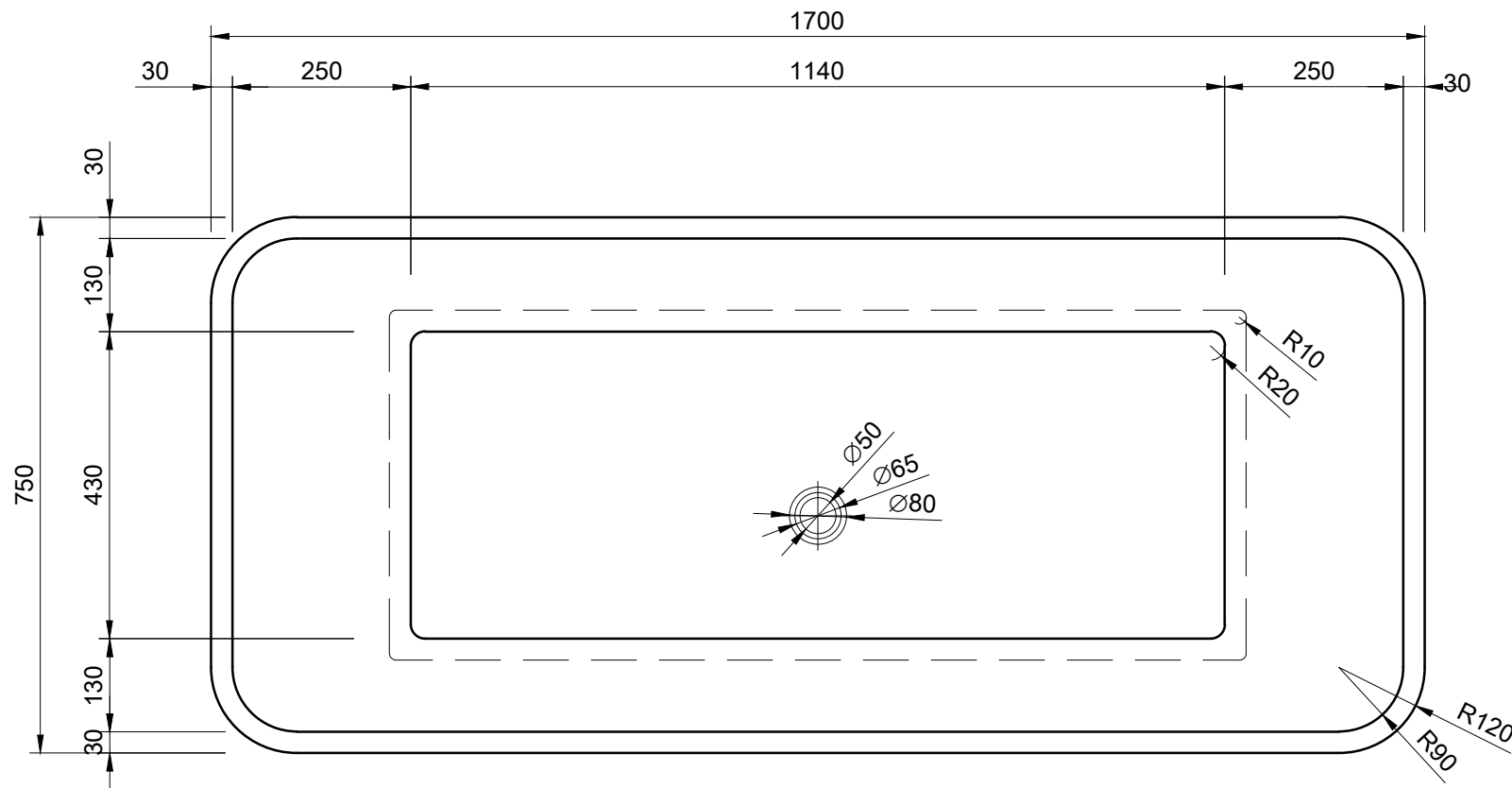
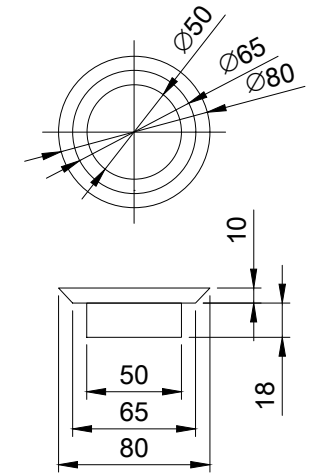
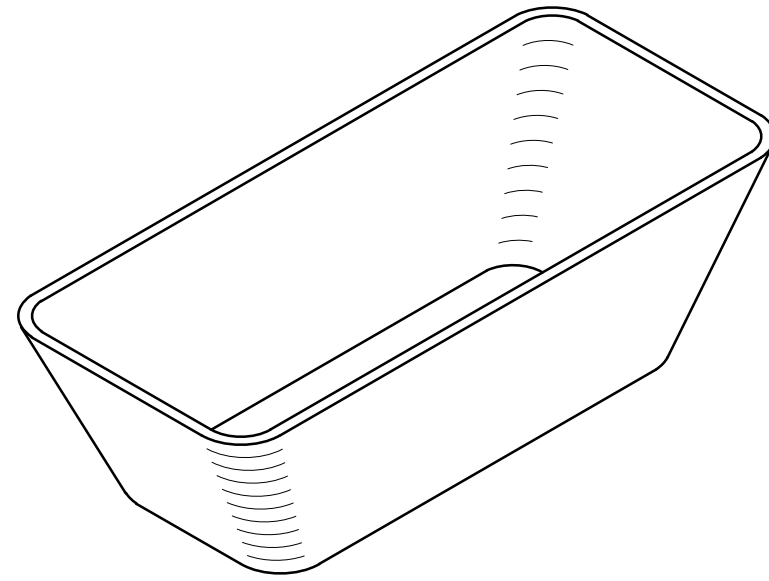


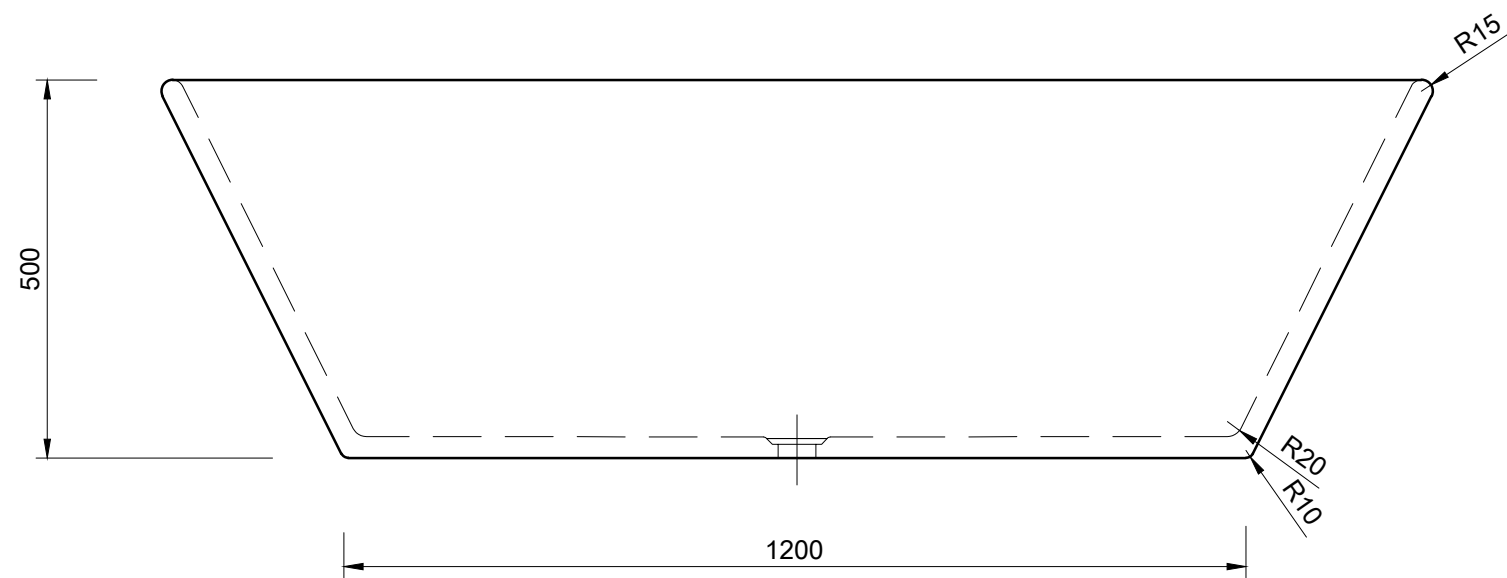
DO NOT SCALE



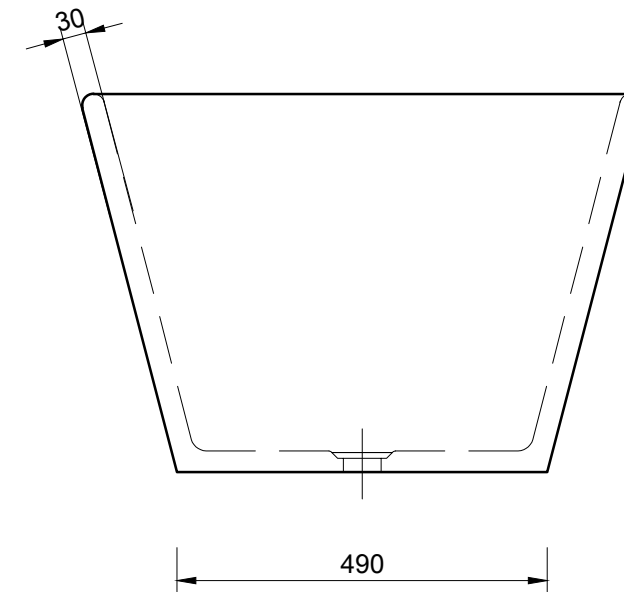
PLAN



WASTE DETAIL



FRONT ELEVATION
WEIGHT = 190kg



SIDE ELEVATION

DIMENSIONS IN MILLIMETERS

FOR CONSTRUCTION

REV	REVISION	BY	DATE
B	WAS SONNY	TLD	03.08.2022
A	ISSUED FOR APPROVAL	TLD	21.10.2021



Concrete Republic Pty Ltd
 Workshop Address: 16 Naughton Ave, North Geelong. Victoria
 ABN: 80 621 646 839
 Email: admin@concreterepublic.com.au
 Phone: 0477 885 526

TITLE			
LUTA CONCRETE BATH PLAN & ELEVATIONS			
DRAWN T.L.DIRCKS	CHECKED	DRAWING No. CR210512-01	REV. B
DATE 21.05.2021	SCALE NTS		