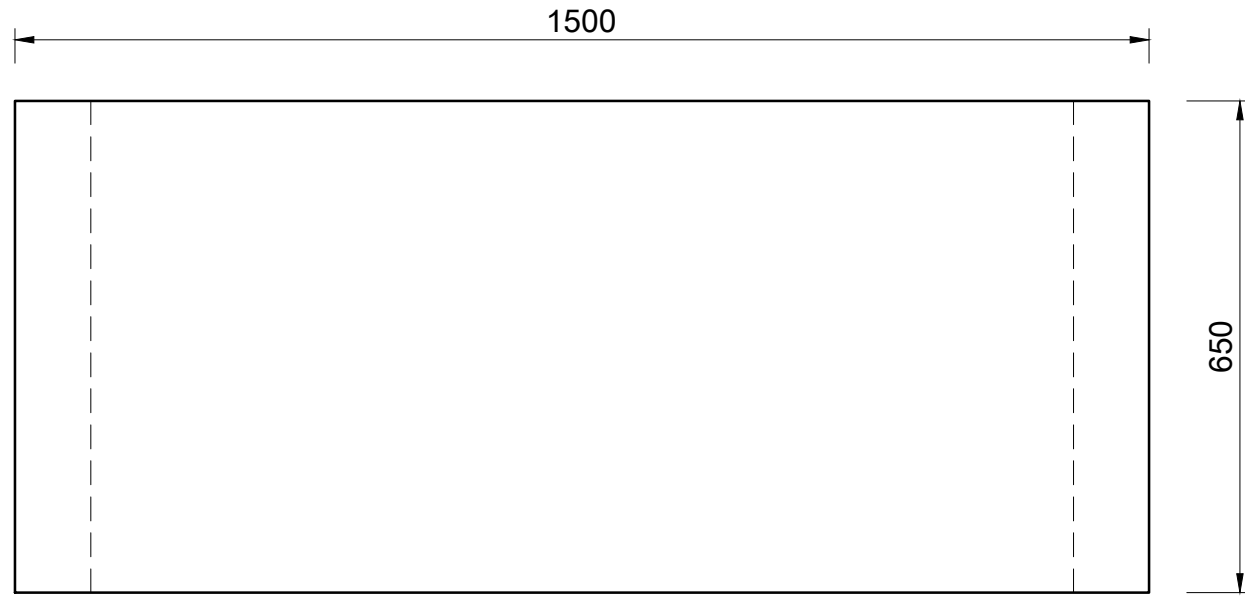
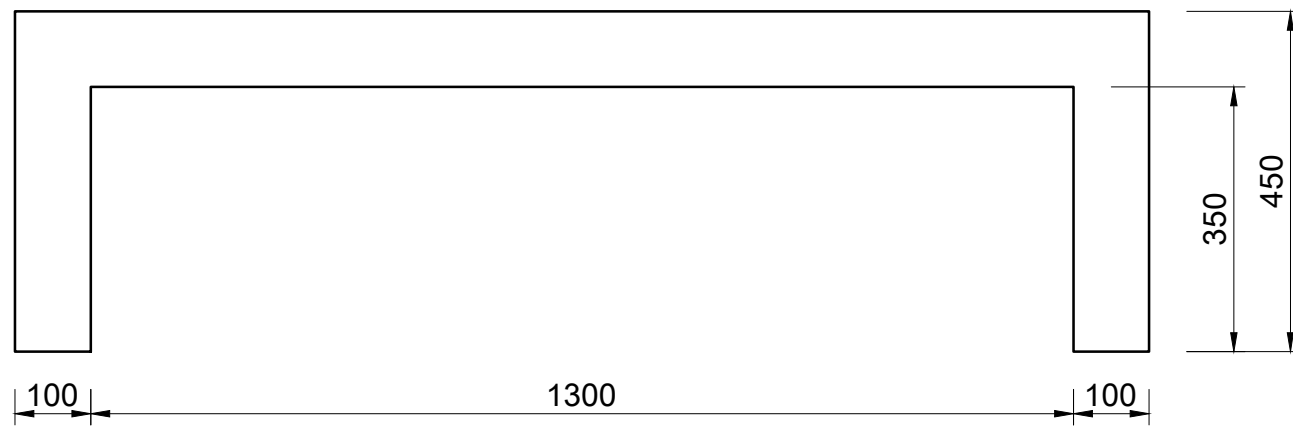
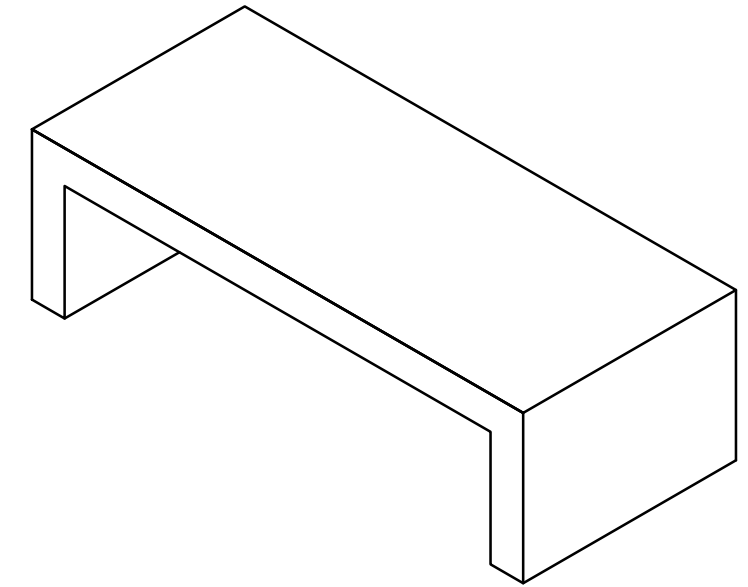


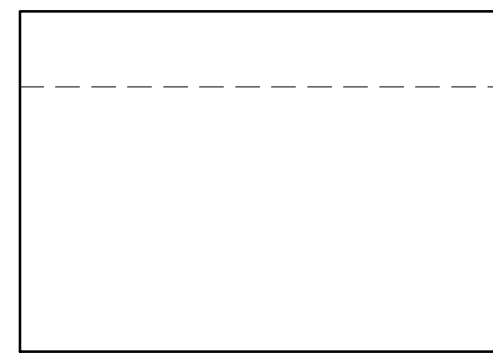
DO NOT SCALE



PLAN



FRONT ELEVATION



SIDE ELEVATION

MATERIAL - CONCRETE  
WEIGHT - 359 kg

**FOR CONSTRUCTION**

DIMENSIONS IN MILLIMETERS

REV	REVISION	BY	DATE
A	ISSUED FOR CONSTRUCTION	TLD	03.08.22



**Concrete Republic Pty Ltd**  
Workshop Address: 16 Naughton Ave, North Geelong. Victoria  
ABN: 80 621 646 839  
Email: admin@concreterepublic.com.au  
Phone: 0477 885 526

TITLE			
FIRE PLACE STAND - LARGE			
DRAWN	CHECKED	DRAWING No.	REV.
T.L.DIRCKS		CR220802-03	A
DATE	SCALE		
03.08.2022	NTS		