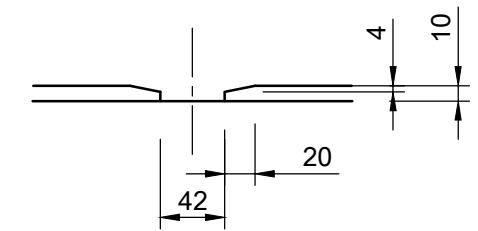
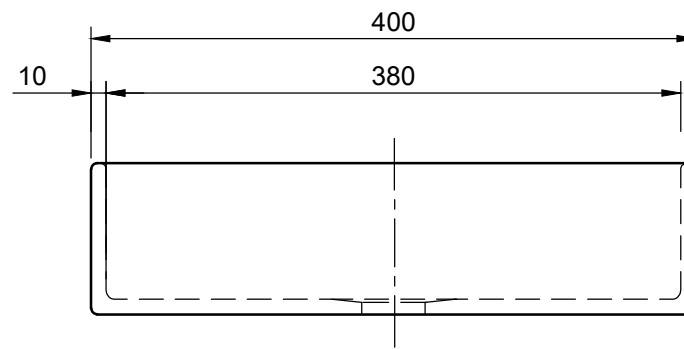
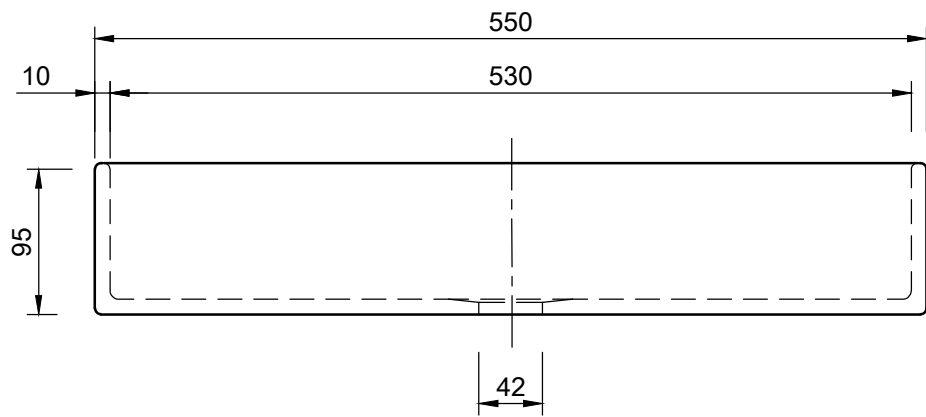
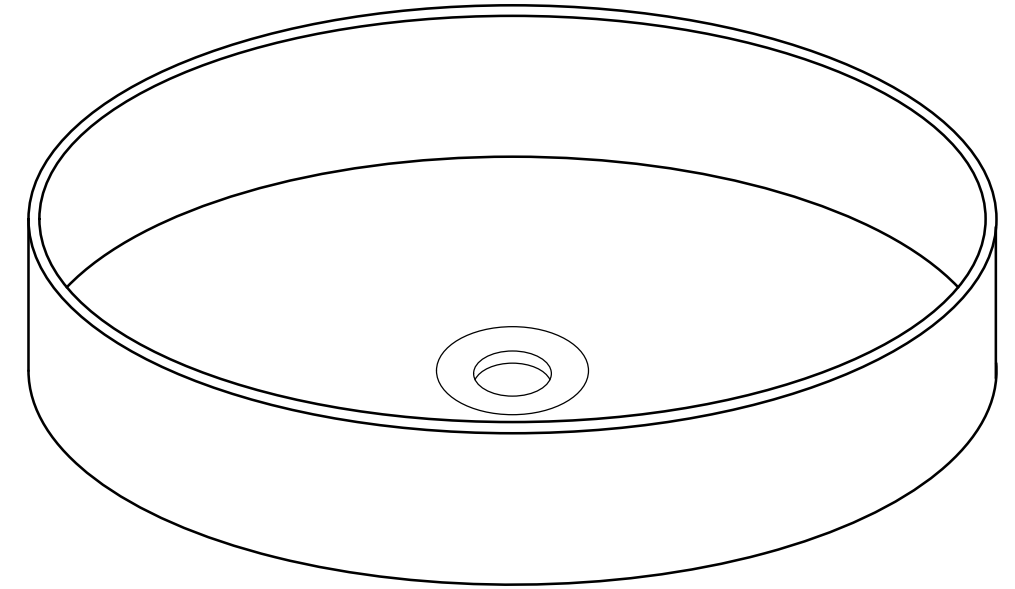
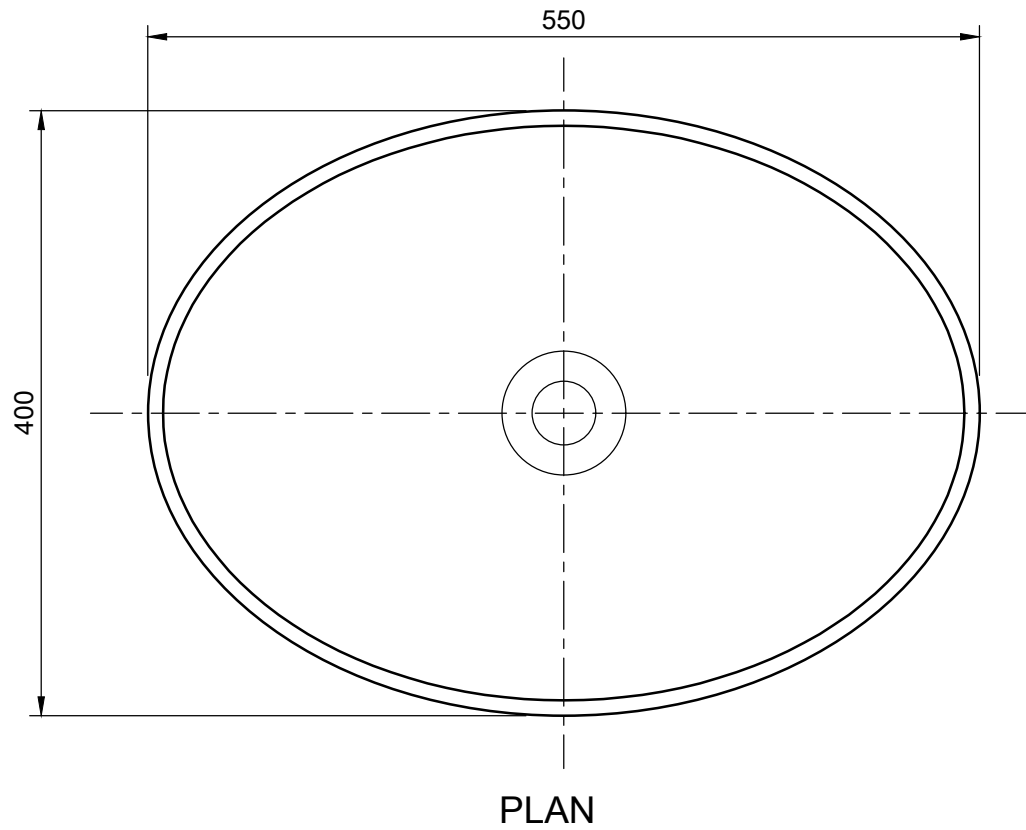


DO NOT SCALE



PLUG HOLE DETAIL

MATERIAL - CONCRETE
WEIGHT - 11 kg

OBLONG OVAL - BASIN

DIMENSIONS IN MILLIMETERS

FOR CONSTRUCTION

REV	REVISION	BY	DATE
B	ISSUED FOR CONSTRUCTION	TLD	15.07.21
A	ISSUED FOR APPROVAL	TLD	08.07.21



Concrete Republic Pty Ltd
Workshop Address: 16 Naughton Ave, North Geelong. Victoria
ABN: 80 621 646 839
Email: admin@concreterepublic.com.au
Phone: 0477 885 526

TITLE			
OBLONG - OVAL BASIN			
DRAWN	CHECKED	DRAWING No.	
T.L.DIRCKS		CR210708-02	
DATE	SCALE		
08.07.21	NTS	REV.	B