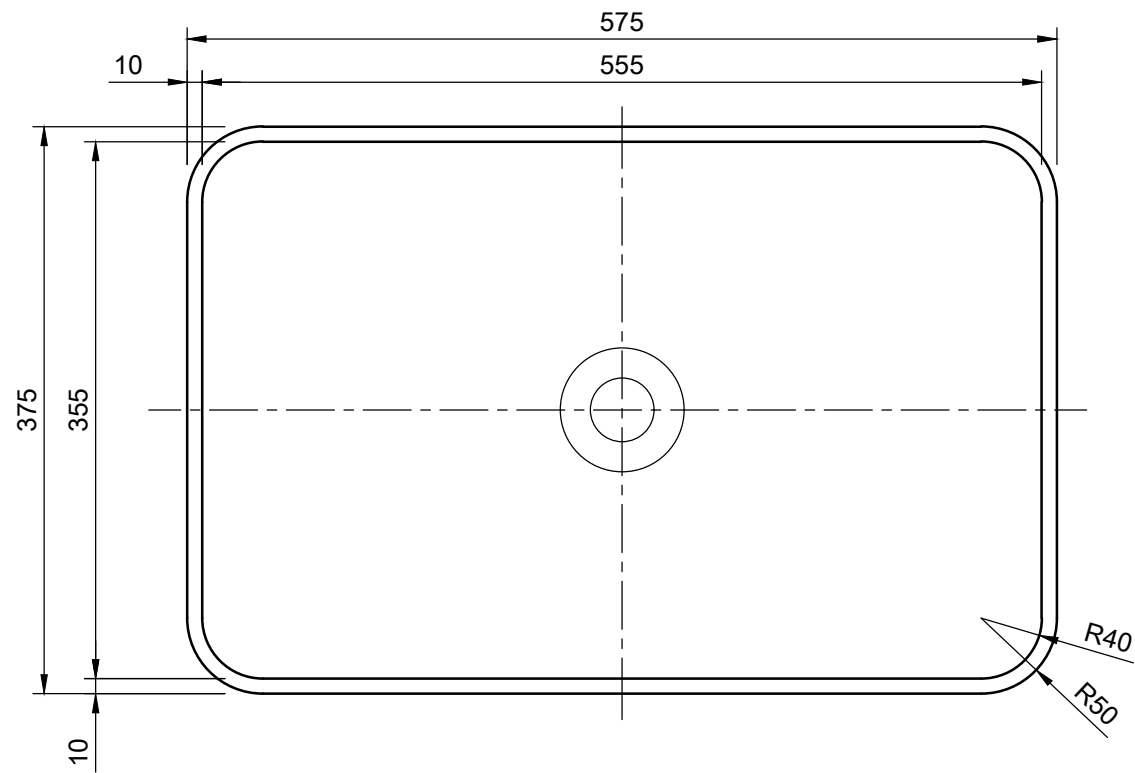
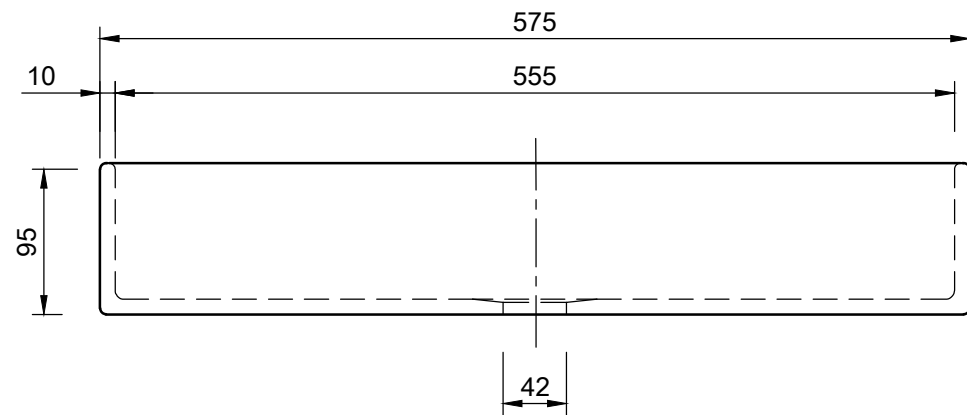
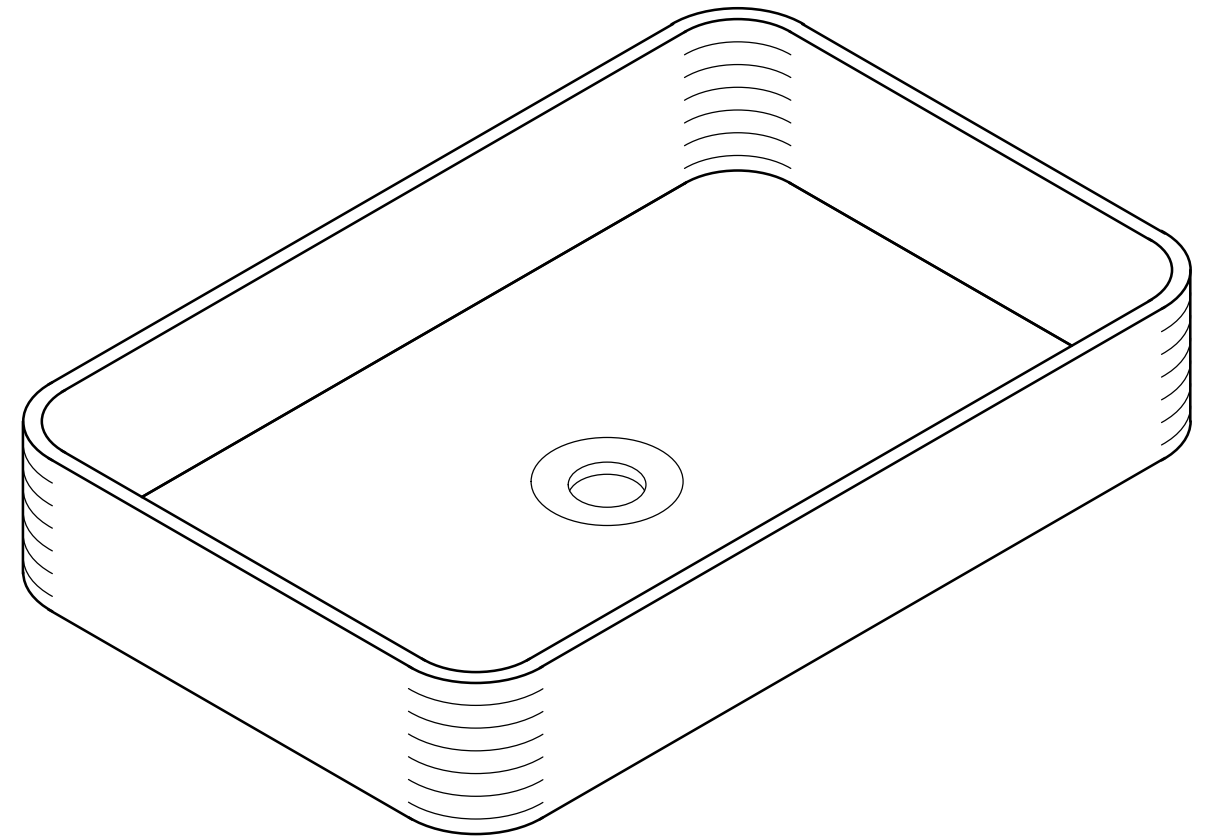


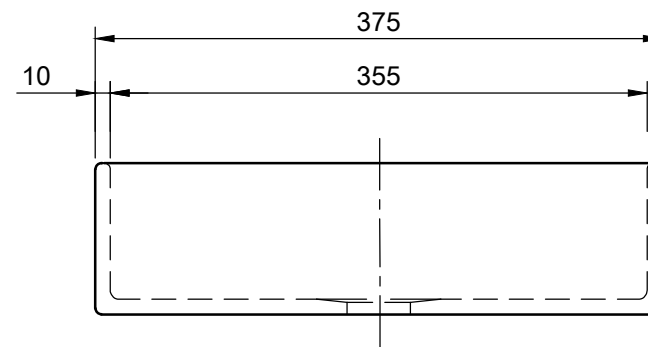
DO NOT SCALE



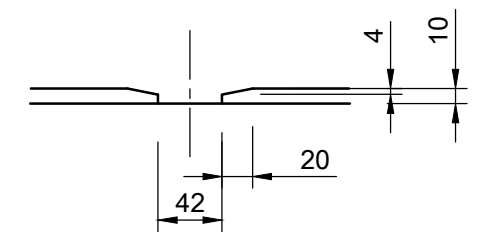
PLAN



FRONT ELEVATION



SIDE ELEVATION



PLUG HOLE DETAIL

MATERIAL - CONCRETE  
WEIGHT - 11kg

**RECTANGLE - BASIN**

DIMENSIONS IN MILLIMETERS

**FOR CONSTRUCTION**

REV	REVISION	BY	DATE
B	ISSUED FOR CONSTRUCTION	TLD	15.07.21
A	ISSUED FOR APPROVAL	TLD	08.07.21



**Concrete Republic Pty Ltd**  
Workshop Address: 16 Naughton Ave, North Geelong. Victoria  
ABN: 80 621 646 839  
Email: [admin@concreterepublic.com.au](mailto:admin@concreterepublic.com.au)  
Phone: 0477 885 526

TITLE			
REKTANGLE - RECTANGLE BASIN			
DRAWN	CHECKED	DRAWING No.	
T.L.DIRCKS		CR210708-03	
DATE	SCALE		
08.07.21	NTS	REV.	B