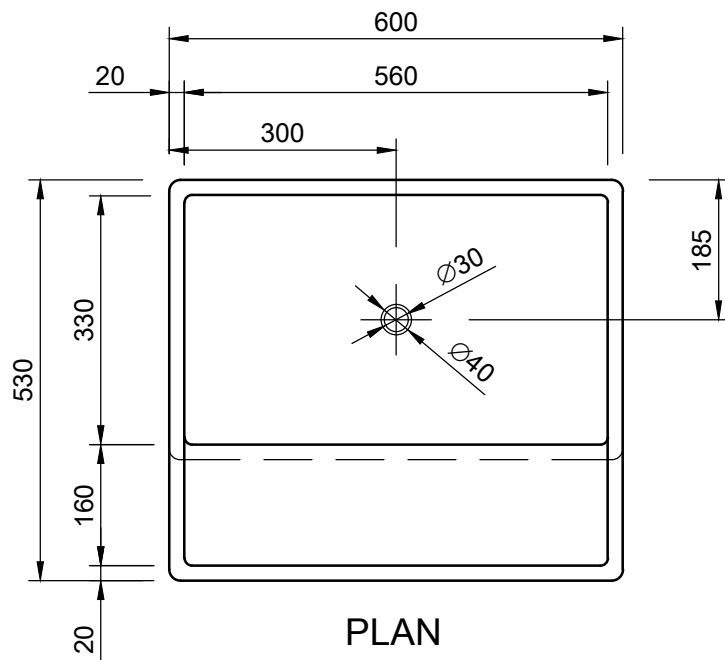
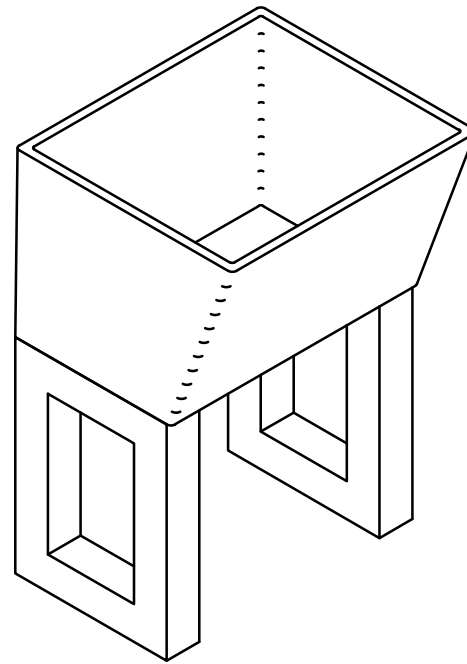
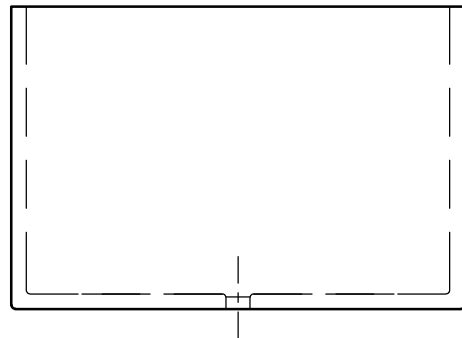


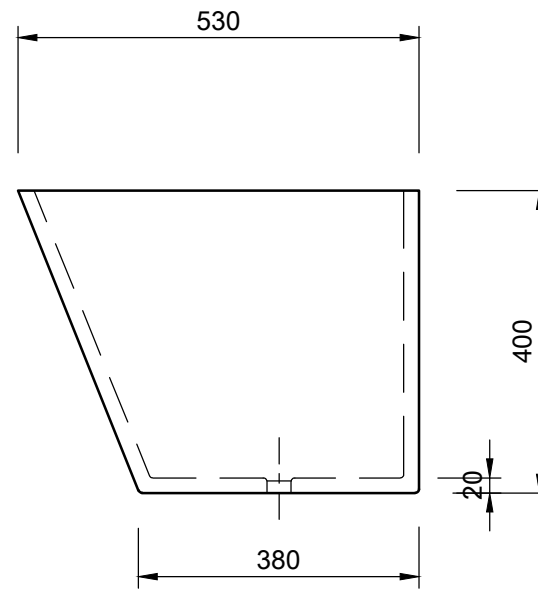
DO NOT SCALE



PLAN



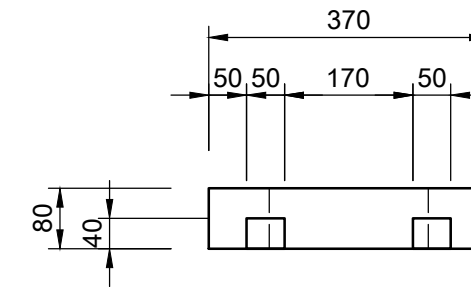
FRONT ELEVATION



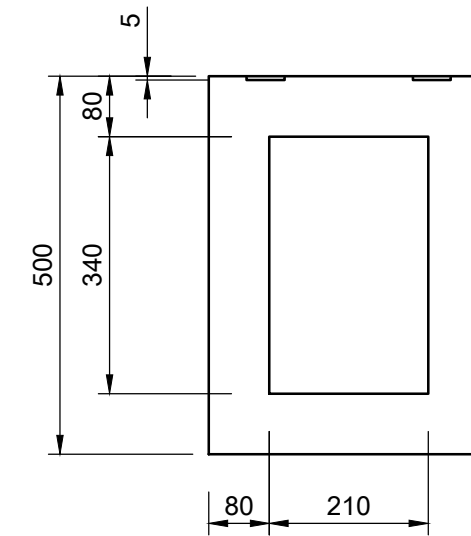
SIDE ELEVATION

TROUGH DETAILS

WEIGHT OF TROUGH 50kg



PLAN



FRONT ELEVATION



SIDE ELEVATION

TROUGH LEGS DETAILS

WEIGHT OF LEG ?

NOTE
LEGS ARE CONNECTED WITH 5mm FLAT BAR AT REBATES

FOR APPROVAL

DIMENSIONS IN MILLIMETERS

A	ISSUED FOR APPROVAL	TLD	29.06.21
REV	REVISION	BY	DATE



Concrete Republic Pty Ltd
 Workshop Address: 16 Naughton Ave, North Geelong. Victoria
 ABN: 80 621 646 839
 Email: admin@concreterepublic.com.au
 Phone: 0477 885 526

TITLE			
LAUNDRY CONCRETE TROUGH & LEG DETAILS			
DRAWN	CHECKED	DRAWING No.	REV.
T.L.DIRCKS		CR210629-01	A
DATE	SCALE		
29.06.2021	NTS		